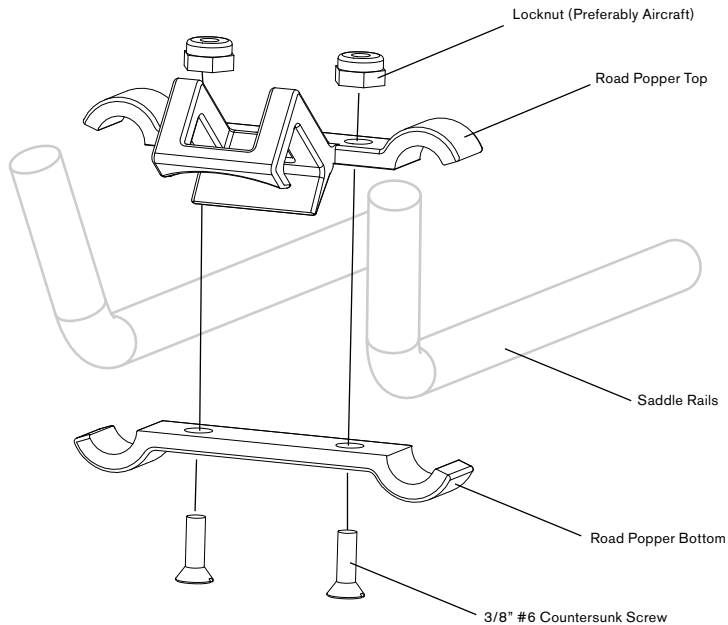


Road Popper



Description

A summer bike accessory in the Chromoly mode, the Road Popper is a bottle opener that attaches discreetly to the underside of your bike seat. It is rapid prototyped in bronze infused stainless steel by Shapeways in Holland.

Purchasing

The Road Popper is produced to order by Shapeways. The cost includes shipping to anywhere in the world that you might be. You should receive your product around 14 business days after ordering. Note that there may be duties and taxes applied to your order when it enters your country.

Things You'll Need for Installation

- 1 - Screwdriver
- 1 - Needle nose pliers
- 2 - Nylon locknuts
- 2 - 3/8" long #6 flat head screws (countersunk)

Bike Requirements

Conventional bike saddle. If you're not sure if your seat is standard or not, give it a measure. The rails should be 7 mm's (0.275 inch) in diameter and roughly 44mm's (1.73 inch) apart.

At least 228mm's (9") of space between the underside of your seat and your tire.

9mm's (3/8") of open rail behind where the seat attaches to the seat post.